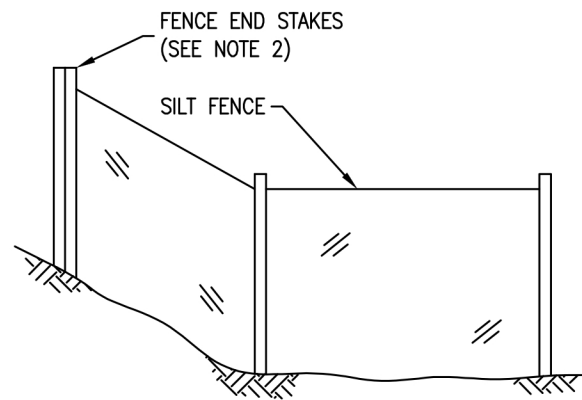
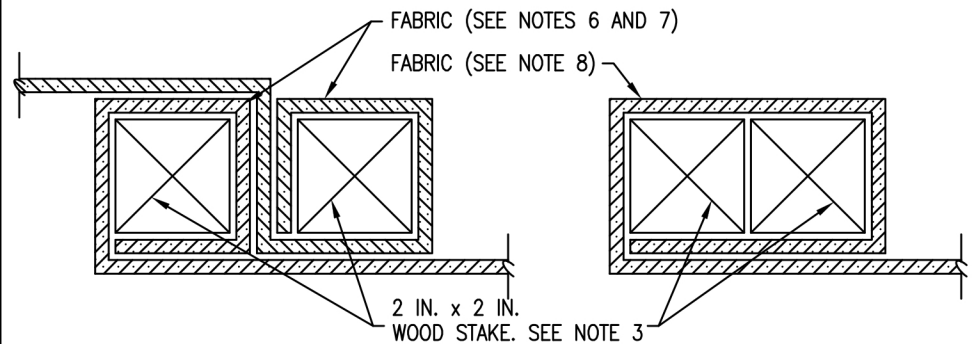


FENCE SECTION DETAIL

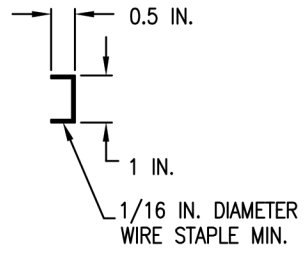


FENCE END DETAIL



JOINT DETAIL

END STAKE DETAIL



STAPLE DETAIL

NOTES:

- 1.) CONSTRUCT THE LENGTH OF EACH REACH SO THAT THE CHANGE IN BASE ELEVATION ALONG THE REACH DOES NOT EXCEED 1/3 THE HEIGHT OF THE LINEAR BARRIER. IN NO CASE SHALL THE REACH LENGTH EXCEED 150M.
- 2.) THE LAST 8 FT. OF FENCE SHALL BE TURNED UP SLOPE.
- 3.) STAKE DIMENSIONS ARE NOMINAL.
- 4.) DIMENSIONS MAY VARY TO FIT FIELD CONDITION.
- 5.) STAKES SHALL BE SPACED AT 8 FT. MAXIMUM AND SHALL BE POSITIONED ON THE DOWNSTREAM SIDE OF THE FENCE.
- 6.) OVERLAP STAKES, AND FOLD FENCE FABRIC TO AROUND EACH STAKE ONE FULL TURN.
- 7.) STAKES SHALL BE DRIVEN TIGHTLY TOGETHER TO PREVENT POTENTIAL FLOW THROUGH OF SEDIMENT AT THE JOINT.
- 8.) FOR END STAKE CONDITION FOLD FENCE FABRIC AROUND (2) STAKES (1) FULL TURN AND SECURE WITH (4) STAPLES.
- 9.) MINIMUM (4) STAPLES PER STAKE.
- 10.) CROSS BARRIERS SHALL BE A MINIMUM OF 1/3 AND A MAXIMUM OF 1/2 THE HEIGHT OF THE LINEAR BARRIER.
- 11.) BOTTOM OF SILT FENCE SHALL BE KEYED-IN A MINIMUM OF 12".

COUNTY OF SACRAMENTO

SILT FENCE

DRAWN BY: STAFF
SCALE: NONE
DATE: 09/2024

11-5


DIRECTOR, DEPARTMENT OF WATER RESOURCES